



1980-50213000

December 05, 2025

REQUEST FOR PRICE QUOTATION

The Civil Aviation Authority of the Philippines (CAAP) Area Center III hereby invites interested bidders for the REPAIR AND REPAINTING OF RUNWAY MARKERS/MARKINGS AT IBA AIRPORT.

Approved budget for the project - Php 498,145.99

Please secure Canvass form from www.philgeps.gov.ph or at the Regional Office, Area Center III during office hours Monday to Friday starting December 06, 2025.

The sealed quotation shall be submitted at the Civil Aviation Authority of the Philippines Regional Office, Area Center 3, Civil Aviation Complex, Clark Freeport Zone, Mabalacat Pampanga on or before December 12, 2025 at 10:00am to the Bids and Awards Committee and will be opened on the same date at 2:00pm. Indicate in the sealed envelope the name of the Project you are participating.

The CAAP Area Center III reserves the right to accept or reject any bid, and to annul the bidding process and reject all Bids at any time prior to contract award without thereby incurring any liability to the affected Bidder/s.

You may call CAAP Area Center III BAC Secretariat Members at 0282464988 local 2258 for details.

Very truly yours,


ATTY. ROAN JILL E. HABOC
BAC Chairperson



Republic of the Philippines

CIVIL AVIATION AUTHORITY OF THE PHILIPPINES

REQUEST FOR QUOTATION

Date :

APP Item No :

1980-50213000

Company/Business Name: 1

Address:

Business/Mayor's Permit No.:

TIN:

PhilGEPS Registration Number (required for ABC above 50k):

The Civil Aviation Authority of the Philippines - AreaCenter III, through its Bids and Awards Committee (BAC), intends to procure the Repair and Repainting of Runway Markers/Markings at Iba Airport through Section 53.9 (Negotiated Procurement - Small Value Procurement) of the 2016 Revised Implementing Rules and Regulations of Republic Act No. 9184.

Please quote your best offer for the item/s described herein, subject to the Terms and Conditions provided on this Request for Quotation (RFQ). Submit your quotation duly signed by you or your duly authorized representative not later than the deadline on December 12, 2025 at 10:00 a.m.

Table with 2 columns: Document, Remarks. Rows include: Copy of 2025 Mayor's or Business Permit, Original Notarized Omnibus Sworn Statement (GPPB-Prescribed Form), PhilGEPS Registration Certificate (For ABCs above P50k), PCAB License (For ABCs above P50k if applicable for Repair & Maintenance and Infrastructure), Latest Annual Income / Business Tax Return (For ABCs above P500k).



Performance Security (for ABCs above P50k)	Once the Notice of Award of the Project is given, the winning bidder is required to submit Performance Security prior to the signing of the contract as prescribed by Section 39 of Updated 206 Revised IRR of RA 9184 to wit:	
	Form of Performance Security	Amount of Performance Security (Not less than the required percentage of the Total Contract Price)
	a.) Cash or cashier's/manager's check issued by a Universal or Commercial Bank. For biddings conducted by LGUs, the cashier's/manager's check may be issued by other banks certified by the BSP as authorized to issue such financial instrument. (a)	Goods and Consulting Services – Five percent (5%)
	b.) Bank draft/guarantee or irrevocable letter of credit issued by a Universal or Commercial Bank: Provided, however, That is shall be confirmed or authenticated by a Universal or Commercial Bank, if issued by a foreign bank. For biddings conducted by LGUs, bank draft/guarantee, or irrevocable letter of credit may be issued by other banks certified by the BSP as authorized to issue such financial instrument. (a)	Infrastructure Projects - Ten percent (10%)
	c.) Surety bond callable upon demand issued by a surety or insurance company duly certified by the Insurance Commission as authorized to issue such security.	Thirty percent (30%)
Non-submission of Performance Security shall warrant disqualification of bids as mandated by Section 40 of Updated 2016 Revised IRR of RA 9184.		

For any clarification, you may contact us at telephone no. **(045) 499-1663** or email address at **bac_area3@caap.gov.ph** .


ROAN JILLE E. HABOC
 BAC Chairperson

¹ In case of discrepancy on the business name as reflected on this RFQ and as reflected in the Business Permit, the latter shall prevail.

INSTRUCTIONS:

Note: Failure to follow these instructions will disqualify your entire quotation.

- (1) Do not alter the contents of this form in any way.
- (2) The use of this RFQ is **highly encouraged** to minimize errors or omissions of the required mandatory provisions. In case of any changes, bidders must use or refer to the latest version of the RFQ, except when the latest version of the RFQ **only** pertains to deadline extension.

If another form is used other than the latest RFQ, the quotation shall contain all the mandatory requirements/provisions including manifestation on the agreement with Terms and Conditions below.

In case a prospective supplier/service provider submits a filled-out RFQ with a supporting document (i.e., a price quotation in a different format), both documents shall be considered unless there will be discrepancies. In this case, provisions in the RFQ shall prevail.
- (3) **All mandatory technical specifications (with asterisk) must be complied with.** Failure to comply with the mandatory requirements shall render the quotation ineligible/disqualified.
- (4) Quotations may be submitted through electronic mail at **bac_area3@caap.gov.ph**.
- (5) Quotations, including documentary requirements, received after the deadline shall not be accepted. For quotations submitted via electronic mail, the date and time of receipt indicated in the email shall be considered.

TERMS AND CONDITIONS:

1. Bidders shall provide correct and accurate information required in this form.
2. Any interlineations, erasures, or overwriting shall be valid only if they are signed or initialed by you or any of your duly authorized representative/s.
3. Price quotation/s must be valid for a period of thirty (30) calendar days from the deadline of submission.
4. Price quotation/s, to be denominated in Philippine peso, shall include all taxes, duties, and/or levies payable.
5. Quotations exceeding the Approved Budget for the Contract shall be rejected.
6. In case of two or more bidders are determined to have submitted the Lowest Calculated Quotation/Lowest Calculated and Responsive Quotation, CAAP Area Center III shall adopt and employ "draw lots" as the tie-breaking method to finally determine the single winning provider in accordance with GPPB Circular 06-2005.
7. Award of contract shall be made to the lowest quotation which complies with the technical specifications, requirements and other terms and conditions stated herein.
8. The item/s shall be delivered according to the accepted offer of the bidder.
9. Item/s delivered shall be inspected on the scheduled date and time of the CAAP Area Center III. The delivery of the item/s shall be acknowledged upon the delivery to confirm compliance with the technical specifications
10. Payment shall be made after delivery and upon the submission of the required supporting documents, i.e., Order Slip and/or Billing statement, by the supplier, contractor, or consultant. Our Government Servicing Bank, i.e., the Land Bank of the Philippines, shall consultant not earlier than twenty-four (24) hours, but not later than forty-eight (48) hours, upon receipt of our advice. Please note that the corresponding bank transfer fee, if any, shall be chargeable to the account of the supplier, contractor, or consultant.



11. Liquidated damages equivalent to one-tenth of one percent (0.1%) of the value of the goods/ services/equipment not complied/delivered within the prescribed delivery period shall be imposed per day of delay. The CAAP Area Center III may terminate the contract once the cumulative amount of liquidated damages reaches ten percent (10%) of the amount of the contract, without prejudice to other courses of action and remedies open to it.
12. All transactions are subject to withholding of credible Government Taxes per revenue regulation(s) of the Bureau of Internal Revenue.
13. For first time bidder, you are required to submit a portfolio of manpower and equipment of your company.
14. Upon Post Qualification, the Winning Bidder, must also submit Tax receipts from Bureau of Customs as proof of payment of all taxes and duties due on the equipment, if the said equipment was bought outside the Philippines.

After having carefully read and accepted the Instructions and Terms and Conditions, I/we submit our quotation/s for the item/s as follows:

Repair and Repainting of Runway Markers/Markings at Iba Airport				
<i>Complete Descriptions of Articles</i>	<i>Qty</i>	<i>Unit</i>	<i>Unit Price</i>	<i>Total Amount</i>
I. Runway Markings				
A. Material Cost				
Gloss Latex Paint White	172.00	gals		
Traffic Paint (Yellow)	16.00	gals		
Paint Remover	29.00	gals		
Lacquer Thinner	12.00	gals		
Paint Thinner	14.00	gals		
9" Roller Brush with Tray	15.00	pcs		
9" Roller Brush Refill	10.00	pcs		
4" Paint Brush	10.00	pcs		
6" Paint Spatula	7.00	pcs		
Steel Wire Brush	10.00	pcs		
Brooms	12.00	pcs		
			Material Cost	
II. Distance To-Go Markers				
A. Material and Labor Cost				
Portland Cement	2.50	bags		
Washed Sand (Screened)	0.20	cu.m		
Crushed Gravel (3/4")	0.30	cu.m		
Ga. 26 Plain G.I. Sheet (3' x 8')	0.50	pcs		
1" x 2" x 12' Lumber	2.20	bd.ft		
3" x 3" x 8' Lumber	12.00	bd.ft		
3/16" x 2" x 20' Flat Bar	0.28	pcs		
1 1/2" dia. X 20' GI Pipe (Sch 40)	0.20	pcs		
3" dia. 20' GI Pipe Sch 40	0.20	pcs		
Primer (Red Lead Paint)	0.25	gals		
Q.D.E. Paint (Black)	0.25	gals		
Q.D.E. Paint (White)	0.11	gals		
Paint Thinner	0.25	gals		
2" Paint Brush	1.00	pcs		
#16 Tie Wire	0.30	kg		
Assorted C.W. Nails	0.25	kg		
Coal Tar	0.25	gals		
			Material Cost	
			Material Cost for 6 units	



III. Stopway End Markers			
A. Materials and Labor Cost			
Ga. 26 Plain G.I. Sheet (3' x 8')	2.50	pcs	
2" x 2" x 8' Lumber	28.00	bd.ft	
2" x 2" x 12' Lumber	12.00	bd.ft	
Assorted C.W. Nails	1.00	kg	
Primer (Red Lead Paint)	0.25	gals	
Q.D.E Paint (Red)	0.25	gals	
Q.D.E Paint (White)	0.25	gals	
4" Paint Brush	0.50	pcs	
Coal Tar	0.25	gals	
Paint Thinner	0.50	gals	
			Material Cost
			Material Cost for 4 units
IV. Project Information			
Tarpaulin	64.00	sq.ft.	
Marine Plywood, 4'x8'x1/2" thk	2.00	pcs	
Assorted CWN	0.25	kg	
Good Lumber	24.00	bd.ft.	
			Material Cost
V. Labor Cost			
	Qty	Days	Rate/day
Foreman	1.00	30	
Skilled Laborer	3.00	30	
Laborer	4.00	30	
			Labor Cost
			Total Labor Cost
			Total Material Cost
			Total Direct Cost

FINANCIAL OFFER:

Terms of Payment:

Payment shall be made upon completion of all required documents, inspection and acceptance of the end user if needed. Please provide the following bank details.


Payment Details:

Name of Payee: _____
TIN: _____

Please quote your total best offer for the item/s above. Please do not leave any blank items.
 Indicate "0" if item being offered is for free.

Repair and Repainting of Runway Markers/Markings at Iba Airport	
Approved Budget for the Contract: Four Hundred Ninety Eight Thousand One Hundred Forty Five & 99/100 Pesos Only	
P 498,145.99	
TOTAL OFFERED QUOTATION	
In Words:	
In Figures:	

Canvassed By:


RALPH ROBERT G. URBANO
 Authorized Canvasser

 Signature over Printed Name

 Position/Designation

 Office Telephone/Fax/Mobile Nos.

 Email address/es





SCOPE OF WORK

I. GENERAL

The works to be accomplished by the successful bidder shall consist of furnishing, supervision, labor, materials, supplies, tools and equipment to complete the **Repair and Repainting of Runway Markers/ Markings at Iba Airport**.

II. LOCATION OF PROJECT

The Contract to be bid is located at **Iba Airport, Iba, Zambales**.

III. SCOPE OF WORK

The details of work are at best enumerated below, but be noted that the Contract includes all works and services although not specifically mentioned herein, but are needed to fully complete the Project.

The Project covers the supply of labor, materials, mobilization/demobilization, tools/equipment, necessary for **Repair and Repainting of Runway Markers/Markings at Iba Airport** with the following scope of works which shall be done in accordance with the approved plans, specifications and provision of contract to wit: (Work shall include but is not limited to the following);

1. Mobilization / Demobilization

This work includes mobilization and demobilization of the contractor's forces and equipment necessary for performing the work required under the contract.

- a. Mobilization shall include all activities and associated costs for transportation of contractor's personnel, equipment, and operating supplies to the site; establishment of offices, buildings and other necessary general facilities for the contractor's operations at the site.
- b. Demobilization shall include the disassembly, hauling/removal of debris/rubbish, and site clean-up of offices, buildings and other facilities assembled on the site.
- c. Project Information Sign

In accordance with the COA Circular No. 2013-004 dated January 30, 2013. To promote good governance through transparency and accountability, infrastructure projects shall have a tarpaulin signboard, suitability framed for outdoor display at the project location, and shall have the following specifications:

- a. White, 8ft by 8ft in size
- b. Resolution: 70 dpi
- c. Font: Helvetica
- d. Font Size: Main Information- 3"; Sub Information-1"
- e. Font Color: Black"

In compliance with the Proclamation Np. 486, S.2024 project billboards shall bear the message, "This is Where Your Taxes Go", to be placed above or below the project billboards. The design and format of the tarpaulin shall have the following specifications:

- a. White, 8ft by 1ft in size
- b. Resolution: 70 dpi
- c. Font: Helvetica
- d. Font Size: Main Information- 6"
- e. Font Color: Black"

2. Partial Removal of Runway Marking

The work includes providing labor, materials, tools, and equipment for the removal of existing paint in the designated partial area of the runway marking. The activities involve coordinating with the Project-In-Charge assigned by CAAP, cleaning the surface, and removing the old paint using approved methods such as applying paint remover while ensuring that no damage is caused to the pavement. All removed materials must be properly collected and disposed of in compliance with environmental and airport regulations, and the treated surface shall be left clean and free of debris.

3. Runway Markings

The work includes labor and materials to complete the repainting of runway markers, such as, runway centerline, touchdown zone, aiming point, threshold, transverse markings, runway designation number, runway side stripes, apron edge markings, apron taxi guideline markings, taxiway edge markings, taxiway centerline, holding position, as per indicated on program of work. (Workmanship must be approved by the Project-In-Charge assigned by CAAP)

4. Distance To-Go Markers

The work includes labor and materials for repair/replacement of Distance to-go Markers. The work covers 6 pcs./sets of distance to-go markers, as per indicated on program of work. (Materials used and workmanship must be approved by the Project-In-Charge assigned by CAAP).

5. Stopway End Markers

The work includes labor and materials for repair/replacement of Stopway End Markers. The work covers 4 pcs./sets of distance to-go markers, as per indicated on program of work. (Materials used and workmanship must be approved by the Project-In-Charge assigned by CAAP).

All scope of work to this item must be according to plan and specifications and approved by the Engineer-In-Charge. Quality and types of materials must conform and to be approved by the Project Engineer assigned by CAAP.

The contractor shall be responsible in providing personal protective equipment (PPE) for staffs and workers, and Safety Inspectors or Safety Engineers on site while construction is ongoing. Regular safety reports should be reported.

The contractor shall be responsible for all laboratory, material testing, environmental compliance certificate (ECC), building and safety permits and survey instruments necessary in the project implementation. All expenses shall be incorporated in the contractor's overhead cost and shall not be considered as pay item.

Prepared by:



ARLYNNA BEATRICE S. DUNGAO

Engineer, Area Center III



ONE AUSTIN AIRPORT OF THE FUTURE

THE DRAWINGS IS EXCLUSIVE PROPERTY OF ONE AUSTIN AIRPORT OF THE FUTURE. NO PART OF THIS DRAWING IS TO BE REPRODUCED OR TRANSMITTED IN ANY FORM OR BY ANY MEANS, ELECTRONIC OR MECHANICAL, INCLUDING PHOTOCOPYING, RECORDING, OR BY ANY INFORMATION STORAGE AND RETRIEVAL SYSTEM, WITHOUT THE WRITTEN PERMISSION OF THE PROJECT DIRECTOR, ONE AUSTIN AIRPORT OF THE FUTURE. PROJECT DIRECTOR: BRENDAN CAMP.

AERODROME DEVELOPMENT AND MANAGEMENT SERVICE

INFRASTRUCTURE DEVELOPMENT AND DESIGN DIVISION

DESIGN STAFF

DATE

NO.

BY

DATE

BY

DATE

BY

DATE

BY

DATE

BY

DATE

BY

DATE

BY

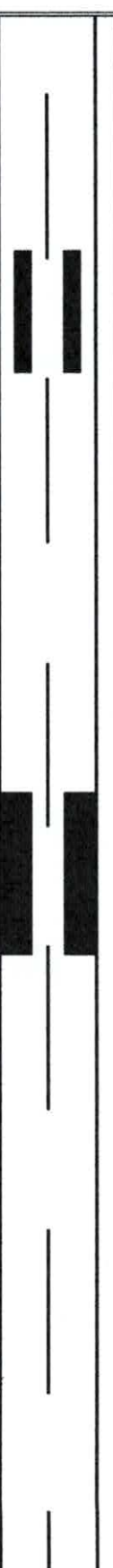
DATE

BY

DATE

BY

DATE

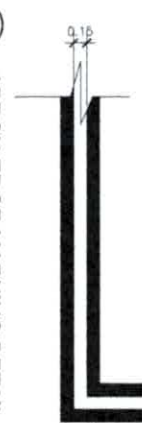


02 MAGNIFIED APRON IMAGE
SCALE

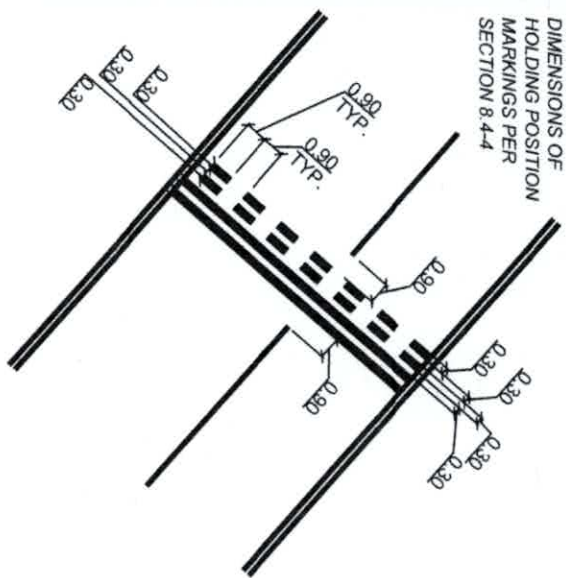


DIMENSIONS OF APRON EDGE MARKINGS PER SECTION 8.5.3.1

02 APRON EDGE MARKING DETAIL
SCALE

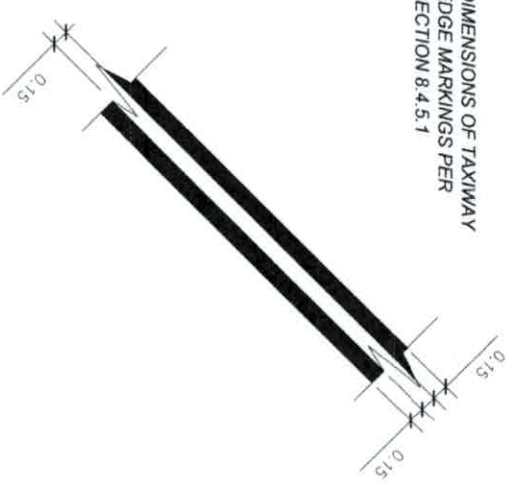


02 DIMENSIONS OF HOLDING POSITION MARKINGS PER SECTION 8.4.4



02 HOLDING POSITION MARKING DETAIL
SCALE

02 DIMENSIONS OF TAXIWAY EDGE MARKINGS PER SECTION 8.4.5.1

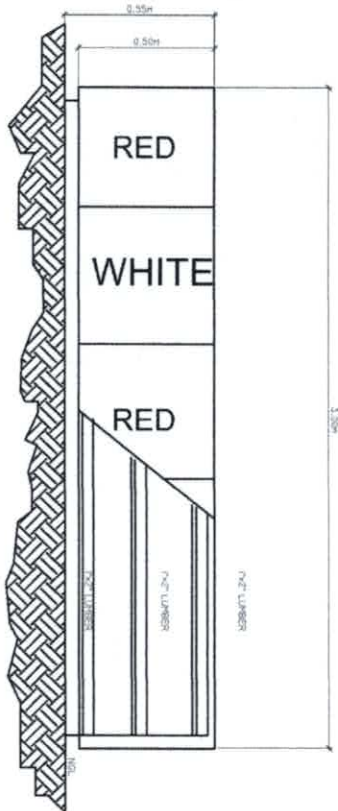


02 TAXIWAY EDGE MARKING DETAIL
SCALE

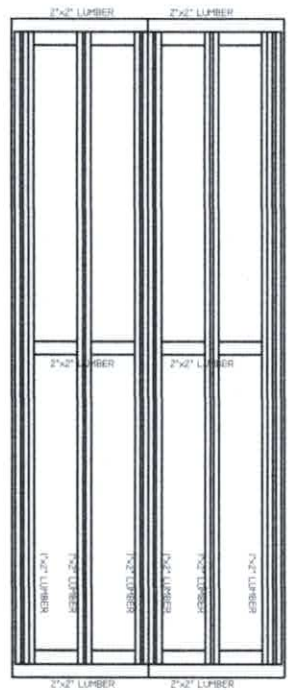
PROJECT:	REPAIR/REPAINTING OF RUNWAY MARKERS/ MARKINGS
LOCATION:	IBA AIRPORT IBA ZAMBULES
SHEET COMMENTS:	MAGNIFIED APRON IMAGE HOLDING POSITION MARKING DETAIL TAXIWAY EDGE MARKING DETAIL
DRAWING SCALE:	SHEET NO. 4.2
AS SHOWN:	2 3

RED	RED	WHITE	WHITE	RED	RED	WHITE	WHITE	RED	RED
-----	-----	-------	-------	-----	-----	-------	-------	-----	-----

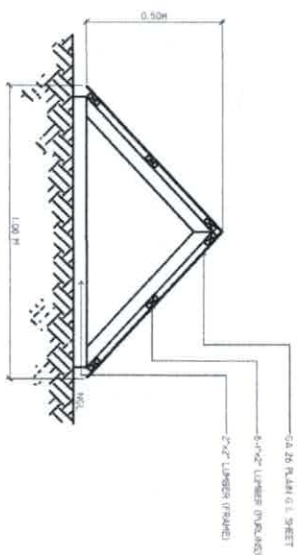
PLAN
SCALE 1/10" = 1'-0"



ELEVATION
SCALE 1/10" = 1'-0"



FRAMING PLAN
SCALE 1/10" = 1'-0"



SIDE ELEVATION
SCALE 1/10" = 1'-0"

DETAIL OF STOPWAY END MARKERS
SCALE 1/10" = 1'-0"



CONTRACT AGREEMENT OF THE PURCHASE
THE PURCHASE IS SUBJECT TO THE
TERMS AND CONDITIONS OF THE
PURCHASE AND NOT BE SUBJECT TO
ANY OTHER AGREEMENT OR
ARRANGEMENT IN WHICH THE PURCHASER
MAY BE INVOLVED FROM THE
DATE OF SIGNATURE.

AERONAUTICAL DEVELOPMENT AND
MANAGEMENT SERVICE
OPERATIONAL DEVELOPMENT AND
MANAGEMENT DIVISION

REVISIONS
NO. DATE
DESCRIPTION

CHECKED BY: [Signature]
DATE: [Date]

DESIGNED BY: [Signature]
DATE: [Date]

APPROVED BY: [Signature]
DATE: [Date]

NOTES:
1. [Handwritten note]

PROJECT:
REPAIR AND REPAINTING OF
RUNWAY
MARKERS/MARKINGS

LOCATION:
IBA AIRPORT
SAUDI ARABIA

SHEET CONTENTS:
AS SHOWN

DRAWING SCALE	SHEET NO.	A-4
AS SHOWN	1	5

Omnibus Sworn Statement (Revised)

[shall be submitted with the Bid]

REPUBLIC OF THE PHILIPPINES)
CITY/MUNICIPALITY OF _____) S.S.

AFFIDAVIT

I, [Name of Affiant], of legal age, [Civil Status], [Nationality], and residing at [Address of Affiant], after having been duly sworn in accordance with law, do hereby depose and state that:

1. *[Select one, delete the other:]*

[If a sole proprietorship:] I am the sole proprietor or authorized representative of [Name of Bidder] with office address at [address of Bidder];

[If a partnership, corporation, cooperative, or joint venture:] I am the duly authorized and designated representative of [Name of Bidder] with office address at [address of Bidder];

2. *[Select one, delete the other:]*

[If a sole proprietorship:] As the owner and sole proprietor, or authorized representative of [Name of Bidder], I have full power and authority to do, execute and perform any and all acts necessary to participate, submit the bid, and to sign and execute the ensuing contract for [Name of the Project] of the [Name of the Procuring Entity], as shown in the attached duly notarized Special Power of Attorney;

[If a partnership, corporation, cooperative, or joint venture:] I am granted full power and authority to do, execute and perform any and all acts necessary to participate, submit the bid, and to sign and execute the ensuing contract for [Name of the Project] of the [Name of the Procuring Entity], as shown in the attached [state title of attached document showing proof of authorization (e.g., duly notarized Secretary's Certificate, Board/Partnership Resolution, or Special Power of Attorney, whichever is applicable)];

3. [Name of Bidder] is not "blacklisted" or barred from bidding by the Government of the Philippines or any of its agencies, offices, corporations, or Local Government Units, foreign government/foreign or international financing institution whose blacklisting rules have been recognized by the Government Procurement Policy Board, **by itself or by relation, membership, association, affiliation, or controlling interest with another blacklisted person or entity as defined and provided for in the Uniform Guidelines on Blacklisting;**

4. Each of the documents submitted in satisfaction of the bidding requirements is an authentic copy of the original, complete, and all statements and information provided therein are true and correct;

5. [Name of Bidder] is authorizing the Head of the Procuring Entity or its duly authorized representative(s) to verify all the documents submitted;

6. *[Select one, delete the rest:]*

[If a sole proprietorship:] The owner or sole proprietor is not related to the Head of the Procuring Entity, members of the Bids and Awards Committee (BAC), the Technical

Working Group, and the BAC Secretariat, the head of the Project Management Office or the end-user unit, and the project consultants by consanguinity or affinity up to the third civil degree;

[If a partnership or cooperative:] None of the officers and members of *[Name of Bidder]* is related to the Head of the Procuring Entity, members of the Bids and Awards Committee (BAC), the Technical Working Group, and the BAC Secretariat, the head of the Project Management Office or the end-user unit, and the project consultants by consanguinity or affinity up to the third civil degree;

[If a corporation or joint venture:] None of the officers, directors, and controlling stockholders of *[Name of Bidder]* is related to the Head of the Procuring Entity, members of the Bids and Awards Committee (BAC), the Technical Working Group, and the BAC Secretariat, the head of the Project Management Office or the end-user unit, and the project consultants by consanguinity or affinity up to the third civil degree;

7. *[Name of Bidder]* complies with existing labor laws and standards; and
8. *[Name of Bidder]* is aware of and has undertaken the responsibilities as a Bidder in compliance with the Philippine Bidding Documents, which includes:
 - a. Carefully examining all of the Bidding Documents;
 - b. Acknowledging all conditions, local or otherwise, affecting the implementation of the Contract;
 - c. Making an estimate of the facilities available and needed for the contract to be bid, if any; and
 - d. Inquiring or securing Supplemental/Bid Bulletin(s) issued for the *[Name of the Project]*.
9. *[Name of Bidder]* did not give or pay directly or indirectly, any commission, amount, fee, or any form of consideration, pecuniary or otherwise, to any person or official, personnel or representative of the government in relation to any procurement project or activity.
10. **In case advance payment was made or given, failure to perform or deliver any of the obligations and undertakings in the contract shall be sufficient grounds to constitute criminal liability for Swindling (Estafa) or the commission of fraud with unfaithfulness or abuse of confidence through misappropriating or converting any payment received by a person or entity under an obligation involving the duty to deliver certain goods or services, to the prejudice of the public and the government of the Philippines pursuant to Article 315 of Act No. 3815 s. 1930, as amended, or the Revised Penal Code.**

IN WITNESS WHEREOF, I have hereunto set my hand this ___ day of ___, 20__ at _____, Philippines.

[Insert NAME OF BIDDER OR ITS AUTHORIZED REPRESENTATIVE]

[Insert signatory's legal capacity]

Affiant

[Jurat]

[Format shall be based on the latest Rules on Notarial Practice]